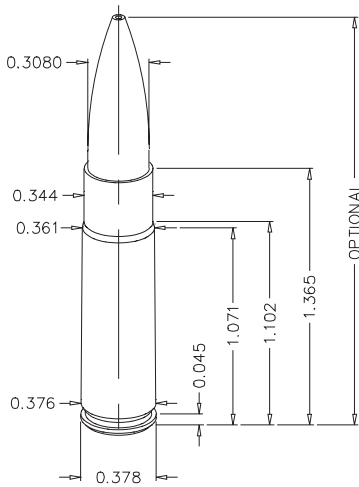


# 300 Whisper SSP



## Test Specifications/ Components

**Firearm Used:** T/C Contender

**Barrel Length:** 10"

**Twist:** 1 x 10"

**Case:** .221 Remington (reformed)

**Trim-to Length:** 1.355"

**Primer:** Fed 205M

## Remarks:

Few cartridges have a more Byzantine history than the .300 Whisper. The Whisper has its roots in the .222 Remington rifle cartridge, which in turn, evolved into the .221 Fireball pistol cartridge. The .221 Fireball then served as the parent case for the .300 Whisper, which was originally

intended for use in rifles. The cartridge has now been chambered by Thompson/Center for the Contender handgun, bringing it full circle again.

The .300 Whisper was developed by noted wildcatter J.D. Jones for a very specific purpose. Jones sought to design a sub-sonic cartridge for military use, capable of delivering accurate fire out to 200 yards or more. Ideally, the cartridge should be suitable to existing weapons systems, rather than complicating logistics by requiring a new weapon. Basing the new cartridge on the .221 case for this application was a perfect choice. The short case length of the .221 allowed it to be necked up to accept a .30 caliber bullet, while still maintaining an OAL no longer than that of the 5.56x45mm cartridge. Since the .221 shares a common head size with the 5.56x45mm NATO cartridge, it is easily adapted to the M16 series of rifles. This allows an M16/AR-15 rifle to be switched from .223/5.56mm to .300 Whisper and back again by removing two take-down pins, and replacing the upper receiver assembly.

Although originally intended to drive heavy sub-sonic bullets in sound-suppressed military weapons, the .300 Whisper has struck a chord among pistol shooters as well. T/C is currently offering their Contender pistol in both 10" and 14" versions, and the cartridge has seen use in IHMSA silhouette competition. While we have listed data for bullets as heavy as 240 grains, it must be understood that the heavyweight bullets are only suitable for those guns built by SSK, and having a fast enough twist to properly stabilize. It's difficult to predict what the future holds for the .300 Whisper as a sporting round, but it is an interesting cartridge with which to work.

# 300 Whisper SSP continued

**#2100 .308" 110 gr. RN**  
C.O.A.L. 1.825"



**#2105 .308" 110 gr. FMJ**  
C.O.A.L. 1.825"



**#2110 .308" 110 gr. HP**  
C.O.A.L. 1.975"



Powder↓/Velocity→	1700	1800	1900	2000	2100	2150
AA-No. 5	11.5	12.3	13.1	<b>13.8</b>		
AA-No. 7	13.2	14.0	14.8	<b>15.5</b>		
AA-No. 9	14.5	15.2	16.0	16.7	<b>17.5</b>	
2400	14.1	15.1	16.1	<b>17.1</b>		
Viht N110	13.6	14.8	16.0	17.2	18.4	<b>19.0</b>
H110		16.4	17.4	18.4	19.3	<b>19.8</b>
296			17.3	18.4	19.5	<b>20.1</b>
<b>Energy/ft.lbs.</b>	<b>706</b>	<b>791</b>	<b>882</b>	<b>977</b>	<b>1077</b>	<b>1129</b>

	Powder	Grains	Velocity	Ft. lbs.
Accuracy Load	Viht N110	17.2	2000	977
Hunting Load	<b>Viht N110</b>	<b>19.0</b>	2150	1129

**#2120 .308" 125 gr. SPT**  
C.O.A.L. 2.050"



**#2020 .308" (.30-30) 125 gr. HP/FN**  
C.O.A.L. 1.915"



Powder↓/Velocity→	1700	1800	1850	1900	1950	2000
AA-No. 5	11.7	<b>12.6</b>				
AA-No. 7	13.7	<b>14.5</b>				
AA-No. 9	14.4	15.6	<b>16.2</b>			
2400	15.0	15.9	<b>16.3</b>			
Viht N110	13.7	15.1	15.7	16.4	17.0	<b>17.7</b>
H110	14.9	16.3	17.0	17.7	18.4	<b>19.0</b>
296		16.3	17.0	17.7	18.4	<b>19.0</b>
<b>Energy/ft.lbs.</b>	<b>802</b>	<b>899</b>	<b>950</b>	<b>1002</b>	<b>1056</b>	<b>1110</b>

	Powder	Grains	Velocity	Ft. lbs.
Accuracy Load	Viht N110	16.4	1900	1002
Hunting Load	<b>Viht N110</b>	<b>17.7</b>	2000	1110

**INDICATES MAXIMUM LOAD – USE CAUTION**  
**LOADS LESS THAN MINIMUM CHARGES SHOWN ARE NOT RECOMMENDED.**

# 300 Whisper SSP continued

**#7350 .308" 135 gr. SPT**  
C.O.A.L. 2.100"

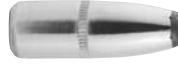


Powder↓/Velocity→	1650	1700	1750	1800	1850	1900
AA-No. 5	11.8	<b>12.3</b>				
AA-No. 7	13.6	<b>14.1</b>				
AA-No. 9	14.5	15.0	15.5	<b>15.9</b>		
2400	15.0	15.5	<b>16.0</b>			
Viht N110	14.0	14.6	15.2	15.8	16.4	<b>17.0</b>
H110	15.1	15.6	16.1	16.6	17.1	<b>17.7</b>
296			15.6	16.4	17.2	<b>17.9</b>
<b>Energy/ft.lbs.</b>	<b>816</b>	<b>866</b>	<b>918</b>	<b>971</b>	<b>1026</b>	<b>1082</b>
	<b>Powder</b>	<b>Grains</b>	<b>Velocity</b>	<b>Ft. lbs.</b>		
Accuracy Load	Viht N110	15.8	1800	971		
Hunting Load	<b>Viht N110</b>	<b>17.0</b>	1900	1082		

**INDICATES MAXIMUM LOAD – USE CAUTION**  
**LOADS LESS THAN MINIMUM CHARGES SHOWN ARE NOT RECOMMENDED.**

# 300 Whisper SSP continued

**#2000 .308" (.30-30) 150 gr. FN**  
C.O.A.L. 2.010"



**#2115 .308" 150 gr. FMJBT**  
C.O.A.L. 2.250"



**#2130 .308" 150 gr. SPT**  
C.O.A.L. 2.250"



**#2125 .308" 150 gr. SBT**  
C.O.A.L. 2.250"



**#2190 .308" 150 gr. HPBT MatchKing**  
C.O.A.L. 2.250"



**#2135 .308" 150 gr. RN**  
C.O.A.L. 2.010"



**#2155 .308" 155 gr. HPBT  
Palma MatchKing**  
C.O.A.L. 2.250"



Powder↓/Velocity→	1400	1500	1600	1700	1800
AA-No. 9	12.4	13.4	14.4	<b>15.5</b>	
2400	13.4	14.1	14.8	<b>15.7</b>	
Viht N110	11.8	13.0	14.2	15.4	<b>16.5</b>
H110		13.8	14.8	15.9	<b>17.0</b>
296		13.8	14.8	15.9	<b>17.0</b>
Viht N120	15.1	16.3	17.5	<b>18.7</b>	
AA-1680	14.7	16.0	17.4	<b>18.8</b>	
<b>Energy/ft.lbs.</b>	<b>653</b>	<b>750</b>	<b>853</b>	<b>963</b>	<b>1079</b>

	Powder	Grains	Velocity	Ft. lbs.
Accuracy Load	Viht N110	15.4	1700	963
Hunting Load	<b>Viht N110</b>	<b>16.5</b>	1800	1079

*Sierra does not recommend MatchKing bullets for hunting applications.*

**INDICATES MAXIMUM LOAD – USE CAUTION**  
**LOADS LESS THAN MINIMUM CHARGES SHOWN ARE NOT RECOMMENDED.**

# 300 Whisper SSP continued

**#2145 .308" 165 gr. SBT**  
C.O.A.L. 2.160"



**#2140 .308" 165 gr. HPBT**  
C.O.A.L. 2.160"



**#2200 .308" 168 gr. HPBT MatchKing**  
C.O.A.L. 2.260"



Powder ↓ / Velocity →	1300	1400	1500	1550	1600	1650
AA-No. 9	11.4	12.4	13.3	13.8	14.2	14.7
2400	12.5	13.3	14.2	14.6	15.0	
Viht N110	11.2	12.3	13.5	14.1	14.7	15.2
H110		13.4	14.2	14.6	15.1	15.6
296		13.3	14.2	14.7	15.2	15.7
Viht N120	14.3	15.3	16.4	17.0		
AA-1680	14.3	15.4	16.6	17.2	17.8	
<b>Energy/ft.lbs.</b>	<b>619</b>	<b>718</b>	<b>825</b>	<b>880</b>	<b>938</b>	<b>998</b>

	Powder	Grains	Velocity	Ft. lbs.
Accuracy Load	AA-No. 9	13.8	1550	880
Hunting Load	<b>AA-No. 9</b>	<b>14.7</b>	1650	998

*Sierra does not recommend MatchKing bullets for hunting applications.*

**INDICATES MAXIMUM LOAD – USE CAUTION**  
**LOADS LESS THAN MINIMUM CHARGES SHOWN ARE NOT RECOMMENDED.**

# 300 Whisper SSP continued

**#2275 .308" 175 gr. HPBT MatchKing**  
C.O.A.L. 2.260"



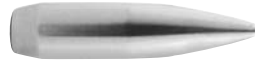
**#2150 .308" 180 gr. SPT**  
C.O.A.L. 2.260"



**#2160 .308" 180 gr. SBT**  
C.O.A.L. 2.260"



**#2220 .308" 180 gr. HPBT MatchKing**  
C.O.A.L. 2.260"



Powder ↓/Velocity →	1200	1300	1400	1500	1550	1600
AA-No. 9	10.6	11.6	12.6	13.6	14.0	14.5
2400	11.6	12.4	13.3	14.1	14.6	
Viht N110	10.5	11.5	12.6	13.7		
H110		12.3	13.3	14.3		
296		12.4	13.4	14.4	14.9	
Viht N120	13.3	14.3	15.3	16.2		
AA-1680	13.0	14.2	15.5	16.7	17.3	
<b>Energy/ft.lbs.</b>	<b>576</b>	<b>676</b>	<b>784</b>	<b>899</b>	<b>960</b>	<b>1023</b>

	Powder	Grains	Velocity	Ft. lbs.
Accuracy Load	Viht N120	16.2	1500	899
Hunting Load	296	14.9	1550	960

*Sierra does not recommend MatchKing bullets for hunting applications.*

**#2210 .308" 190 gr. HPBT MatchKing**  
C.O.A.L. 2.260"



Powder ↓/Velocity →	1200	1300	1400	1450	1500
AA-No. 9	10.8	11.8	12.8	13.3	13.7
2400	11.4	12.2	13.1	13.6	14.0
Viht N110	10.6	11.7	12.8		
H110	11.4	12.4	13.5	14.0	
296		12.4	13.5	14.0	14.6
Viht N120	13.0	14.1	15.2		
AA-1680	13.5	14.6	15.8	16.4	17.0
<b>Energy/ft.lbs.</b>	<b>608</b>	<b>713</b>	<b>827</b>	<b>887</b>	<b>949</b>

	Powder	Grains	Velocity	Ft. lbs.
Accuracy Load	Viht N110	12.8	1400	827

*Sierra does not recommend MatchKing bullets for hunting applications.*

**INDICATES MAXIMUM LOAD – USE CAUTION**  
**LOADS LESS THAN MINIMUM CHARGES SHOWN ARE NOT RECOMMENDED.**

# 300 Whisper SSP continued

**#2165 .308" 200 gr. SBT**  
C.O.A.L. 2.260"



**#2230 .308" 200 gr. HPBT MatchKing**  
C.O.A.L. 2.260"



Powder↓/Velocity→	1100	1200	1300	1350	1400
AA-No. 9	9.9	10.8	11.7	12.2	<b>12.7</b>
2400	10.7	11.5	12.3	12.7	<b>13.1</b>
Viht N110	9.2	10.5	11.8	<b>12.3</b>	
H110	10.7	11.7	12.7	<b>13.2</b>	
296	10.6	11.6	12.7	13.2	<b>13.8</b>
Viht N120	12.2	13.2	14.2	<b>14.7</b>	
AA-1680	12.6	13.7	14.8	15.4	<b>16.0</b>
<b>Energy/ft.lbs.</b>	<b>537</b>	<b>640</b>	<b>751</b>	<b>810</b>	<b>871</b>

	Powder	Grains	Velocity	Ft. lbs.
Accuracy Load	<b>AA-No. 9</b>	<b>12.7</b>	1400	871
Hunting Load	<b>AA-No. 9</b>	<b>12.7</b>	1400	871

*Sierra does not recommend MatchKing bullets for hunting applications.*

**INDICATES MAXIMUM LOAD – USE CAUTION**  
**LOADS LESS THAN MINIMUM CHARGES SHOWN ARE NOT RECOMMENDED.**

# 300 Whisper SSP continued

**#2240 .308" 220 gr. HPBT MatchKing**  
C.O.A.L. 2.260"



Powder↓/Velocity→	1000	1100	1200	1250	1300
AA-No. 9	9.4	10.3	11.2	11.7	<b>12.2</b>
2400	10.0	10.7	11.5	11.9	<b>12.3</b>
Viht N110	9.4	10.2	11.1	<b>11.6</b>	
H110	9.9	10.9	11.9	<b>12.4</b>	
296	9.8	10.7	11.7	12.2	<b>12.7</b>
Viht N120	11.5	12.5	<b>13.4</b>		
AA-1680	11.7	12.7	13.8	14.3	<b>14.9</b>
<b>Energy/ft.lbs.</b>	<b>489</b>	<b>591</b>	<b>704</b>	<b>763</b>	<b>826</b>

	Powder	Grains	Velocity	Ft. lbs.
Accuracy Load	<b>Viht N110</b>	<b>11.6</b>	1250	763

*Sierra does not recommend MatchKing bullets for hunting applications.*

**#9245 .308" 240 gr. HPBT**  
**MatchKing**  
C.O.A.L. 2.260"



*The following loads will not stabilize in a 1x10" twist and are not recommended for use in T/C Contender barrels.*

Powder↓/Velocity→	950	1000	1050	1100	1150	1200
AA-No. 9	9.2	9.5	9.9	10.2	10.6	<b>11.0</b>
2400	9.4	9.8	10.2	10.6	11.0	<b>11.3</b>
Viht N110	8.9	9.3	9.7	10.1	<b>10.5</b>	
H110	9.6	10.0	10.4	10.8	11.2	<b>11.5</b>
296	9.3	9.7	10.1	10.5	10.9	<b>11.3</b>
Viht N120	10.5	11.0	11.5	12.0	<b>12.5</b>	
AA-1680	11.2	11.6	12.0	12.4	12.8	<b>13.3</b>
<b>Energy/ft.lbs.</b>	<b>481</b>	<b>533</b>	<b>588</b>	<b>645</b>	<b>705</b>	<b>768</b>

	Powder	Grains	Velocity	Ft. lbs.
Accuracy Load	Viht N110	10.1	1100	645

*Sierra does not recommend MatchKing bullets for hunting applications.*

**INDICATES MAXIMUM LOAD – USE CAUTION**  
**LOADS LESS THAN MINIMUM CHARGES SHOWN ARE NOT RECOMMENDED.**